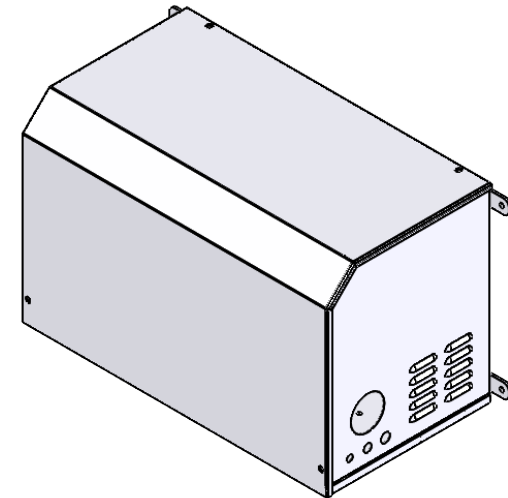
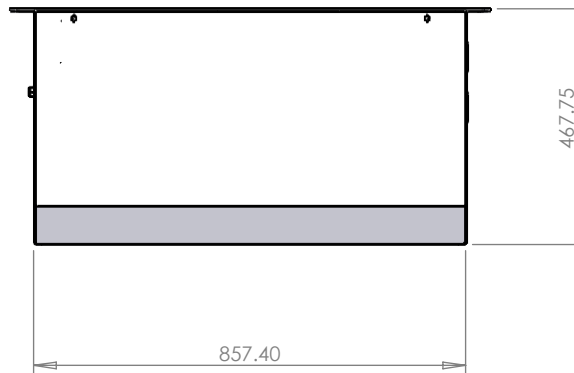


**NOTE-ALLOW 200mm CLEARANCE AROUND CABINET**



COMMENTS:

UNLESS OTHERWISE SPECIFIED: DIMENSIONS ARE IN mm TOLERANCES: ±.5mm	DRAWN BY: AH	DRAWN DATE: 06/04/2022	PROJECTED FIRST ANGLE	REV: 1
	DESCRIPTION:			
	DWG. NO. EJWM SEWM-PEWM Wall Mount Range			
	DO NOT SCALE DRAWING	IF IN DOUBT ASK	SCALE: 1:15	WEIGHT: kgs