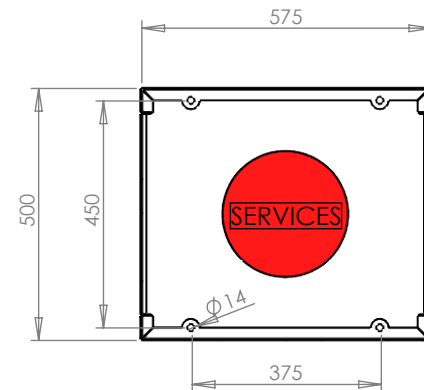


PLAN VIEW



FOOTPRINT

FOR PLINTH DIMENSIONS, MAKE CONCRETE PAD 150MM LARGER THAN UNIT FOOTPRINT & 150MM HIGH FROM GROUND LEVEL

NOTE : DOOR CLEARANCES FOR ANY BARRIERS/ BOLLARDS WHEN INSTALLING AND THE INCOMING SERVICES IN BASE THROUGH DUCTING
 - IF DUCTING IS NOT AN OPTION, SERVICES CAN BE BROUGHT IN AT THE REAR OF THE UNIT



COMMENTS:

UNLESS OTHERWISE SPECIFIED:
 DIMENSIONS ARE IN mm
 TOLERANCES: ±.5mm

DRAWN BY: AH

DRAWN DATE: 06/04/2022

PROJECTED FIRST ANGLE



REV: 1

DESCRIPTION:

MATERIAL:

THICKNESS: mm

FINISH:

DWG. NO. EJBT Vacuum & Vacuum Tower Models

DO NOT SCALE DRAWING IF IN DOUBT ASK

SCALE: 1:15

WEIGHT: kgs

SHEET 1 OF 1