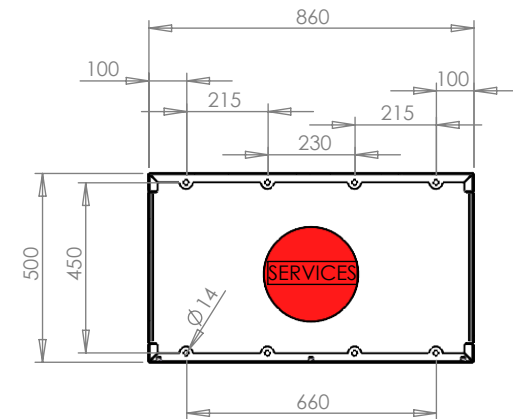


PLAN VIEW



FOOT PRINT

FOR PLINTH DIMENSIONS, MAKE CONCRETE PAD 150MM LARGER THAN UNIT FOOTPRINT & 150MM HIGH FROM GROUND LEVEL

NOTE : DOOR CLEARANCES FOR ANY BARRIERS/ BOLLARDS WHEN INSTALLING AND THE INCOMING SERVICES IN BASE THROUGH DUCTING
 - IF DUCTING IS NOT AN OPTION, SERVICES CAN BE BROUGHT IN AT THE REAR OF THE UNIT



COMMENTS:

UNLESS OTHERWISE SPECIFIED: DIMENSIONS ARE IN mm TOLERANCES: ±.5mm	DRAWN BY: AH	DRAWN DATE: 06/04/2022	PROJECTED FIRST ANGLE	REV: 2
	DESCRIPTION:			
	DWG. NO. EJBT 4 in 1 Multifunction Tower Model			
	DO NOT SCALE DRAWING	IF IN DOUBT ASK	SCALE: 1:20	WEIGHT: kgs